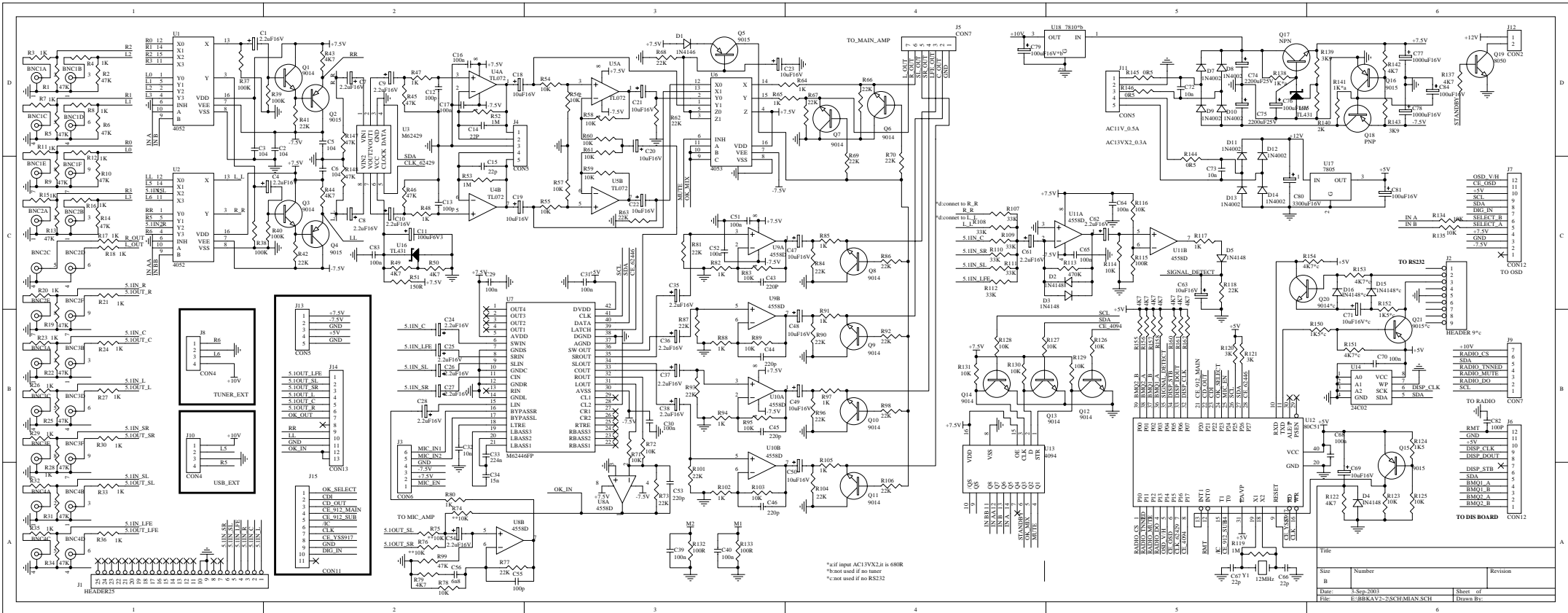
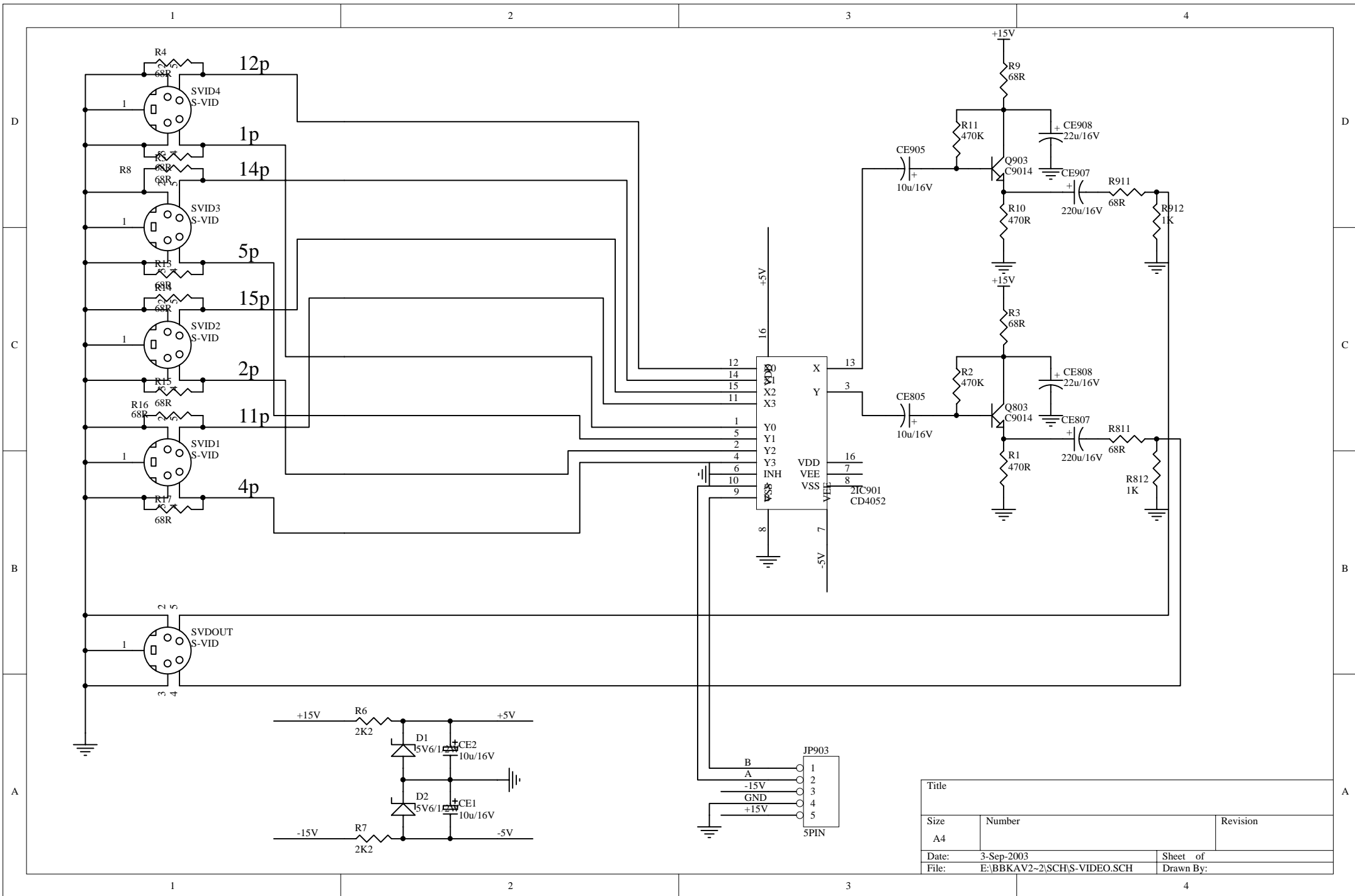


Title		
Size	Number	Revision
B		
Date:	3-Sep-2003	Sheet of
File:	E:\BBKAV2-2\SCH\922MOD.SCH	Drawn By:

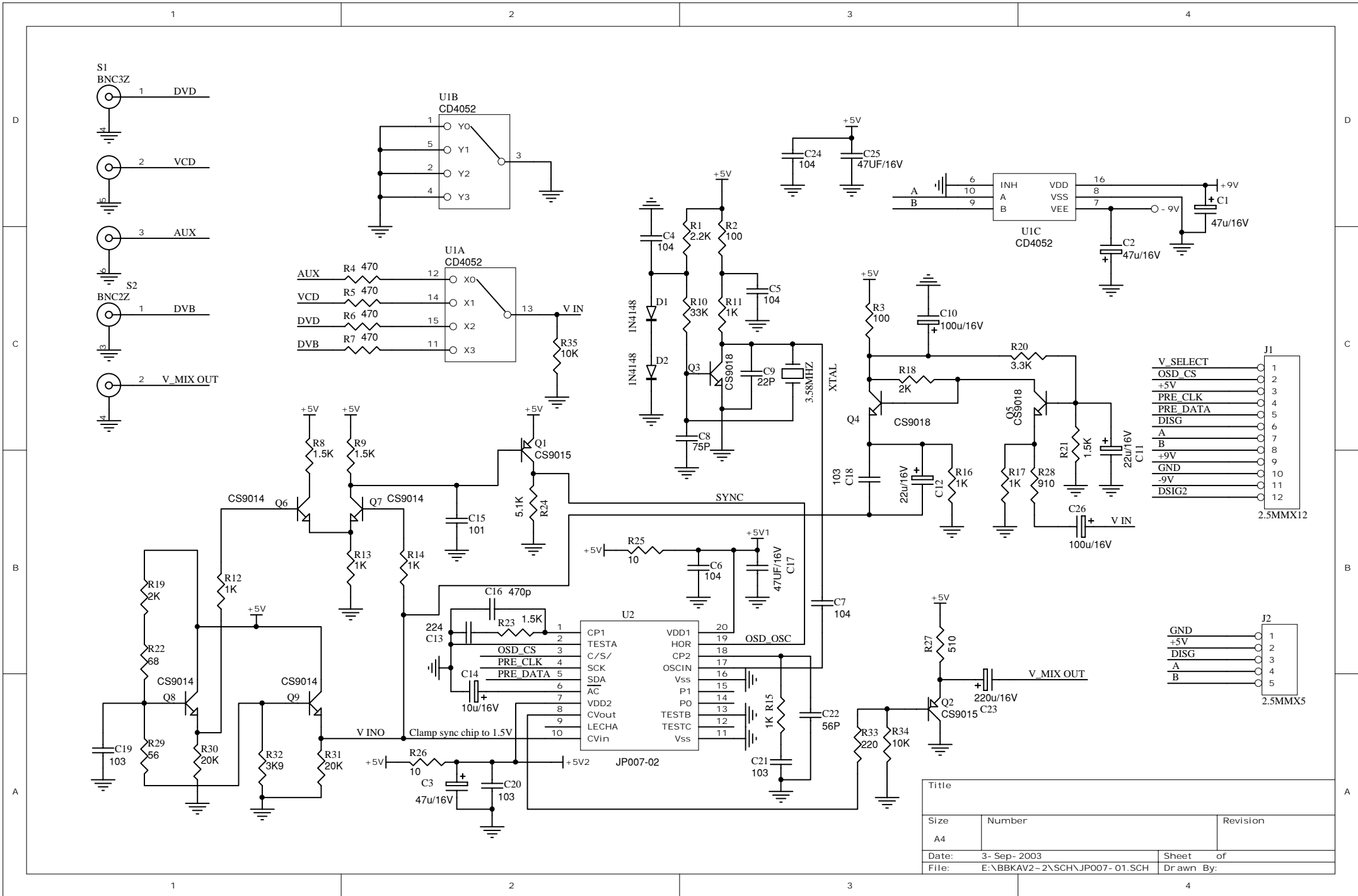


*if input AC13VX2 is 680R
 *not used if no tuner
 *not used if no RS232

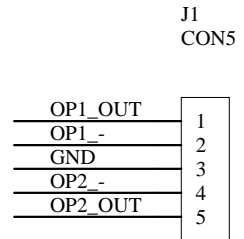
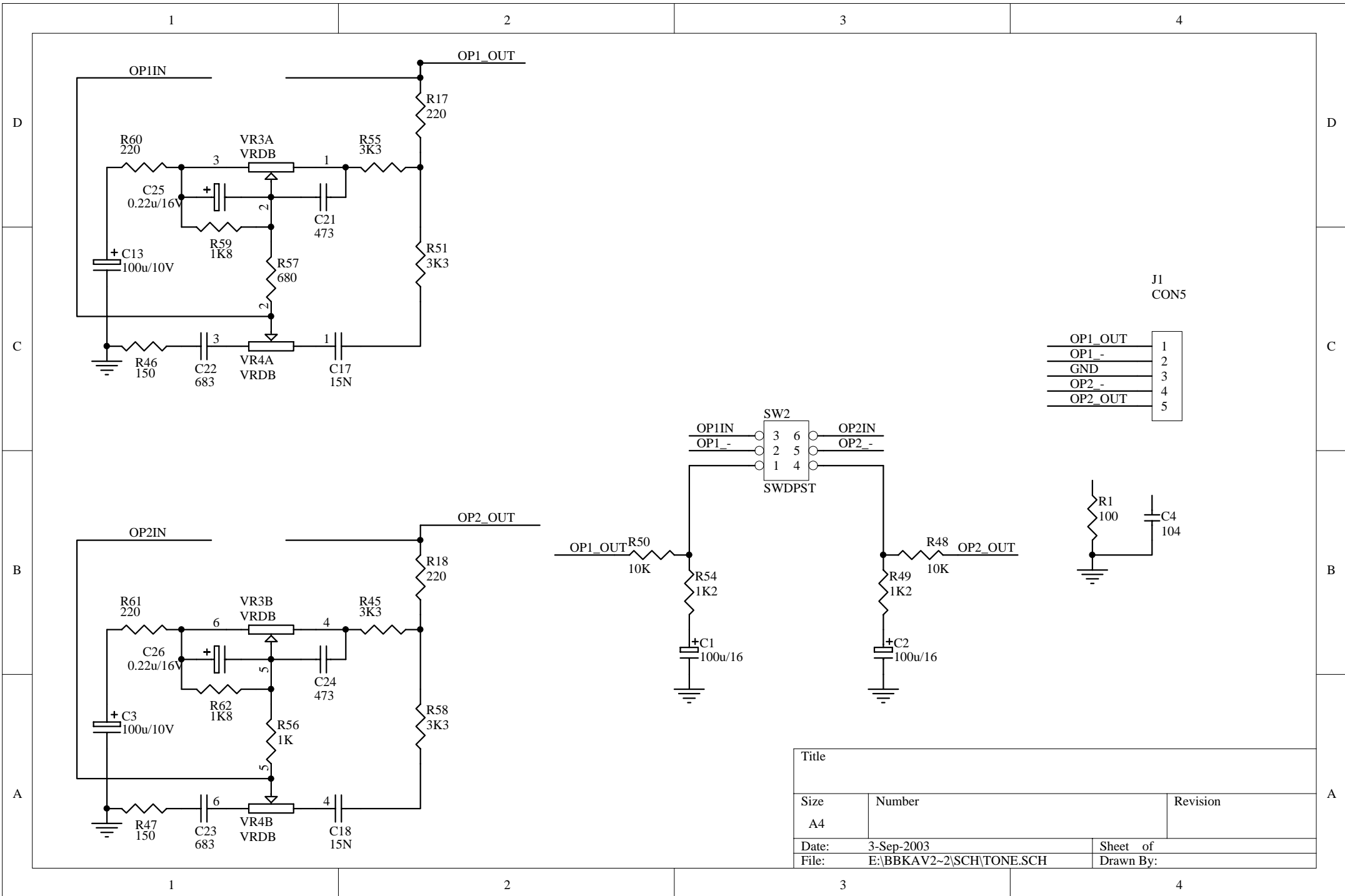
Size	Number	Revision
10	3-Sep-2003	
Time:	E:BBKAVZ-SMCHMAN.SCH	Sheet of
File:		Drawn By:



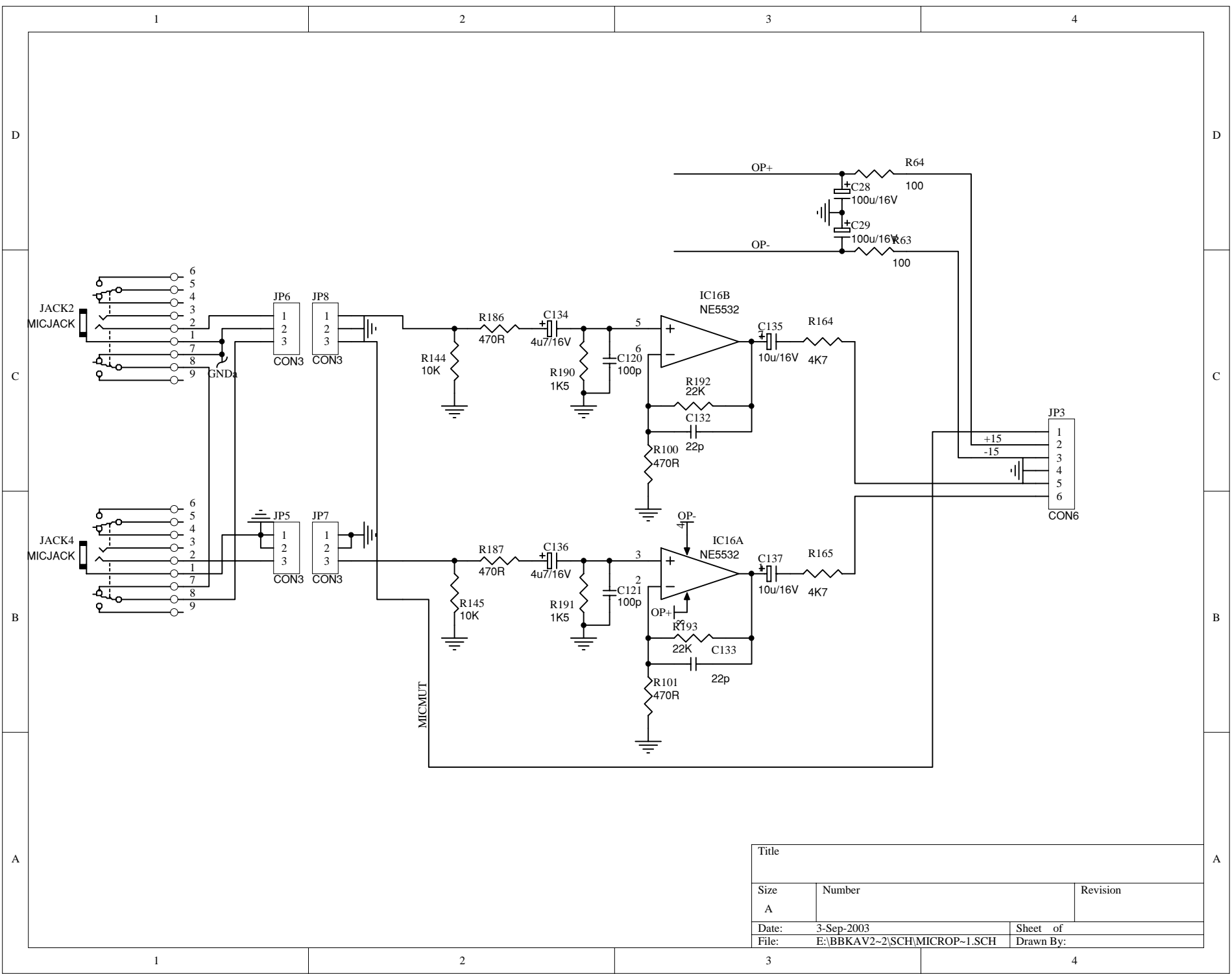
Title		
Size	Number	Revision
A4		
Date:	3-Sep-2003	Sheet of
File:	E:\BBKAV2-2\SCH\S-VIDEO.SCH	Drawn By:



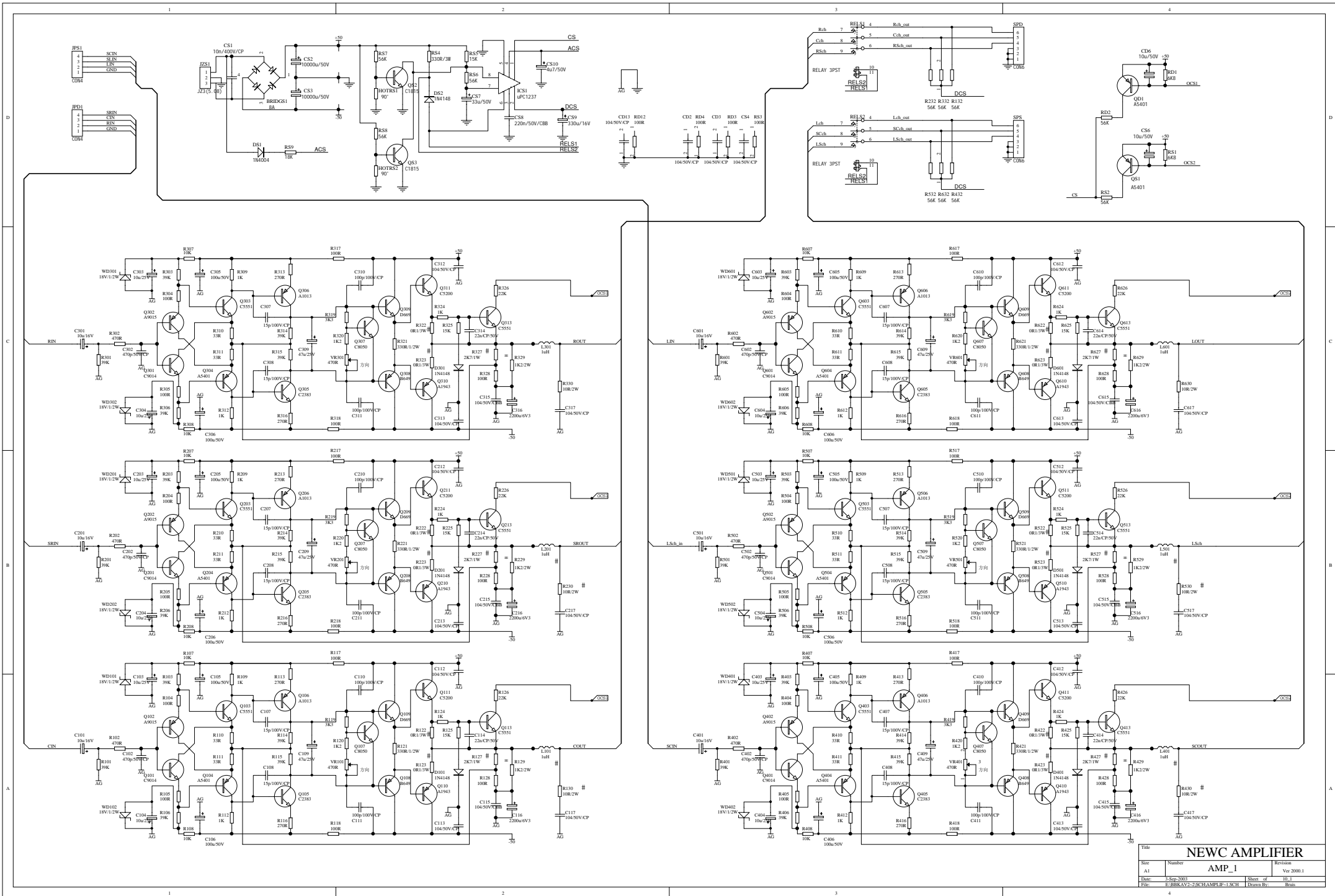
Title		
Size	Number	Revision
A4		
Date:	3-Sep-2003	Sheet of
File:	E:\BBKAV2-2\SCH\JP007-01.SCH	Drawn By:



Title		
Size	Number	Revision
A4		
Date:	3-Sep-2003	Sheet of
File:	E:\BBKAV2~2\SCH\TONE.SCH	Drawn By:



Title		
Size	Number	Revision
A		
Date:	3-Sep-2003	Sheet of
File:	E:\BBKAV2~2\SCH\MICROP~1.SCH	Drawn By:



NEWC AMPLIFIER			
Size	Number	Revision	Ver
A1	AMP_1	2000.1	1
DATE	SEP 2003	DESIGNER	W.T.
FILE	E:\BRKAV2-25C\AMPB-1.SCH	DRAWN BY	BRN